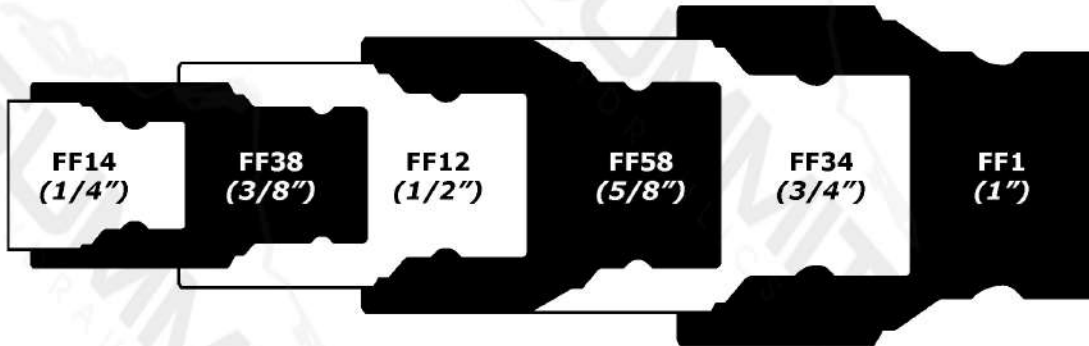




# Quick Coupler Identification Chart

Coupler fractional sizes (1/2", 3/4"... ) are industry standards and are not an actual measurement of the coupler. **Print this guide** and match the male coupler to one of the coupler outlines shown below.



**ISO 16028**  
Summit FF Series  
Flat Face

**Equivalent To:**  
Parker FEM Series  
Faster FF Series  
Holmbury A Series  
Aeroquip FD89  
Snap-Tite 60/21



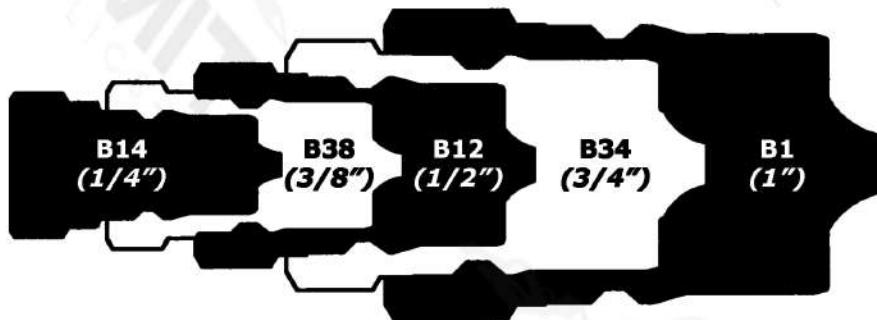
**ISO 5675**  
Summit AG Series  
Agricultural

**Equivalent To:**  
Pioneer/Parker 4000 Series  
Faster NS Series  
Safeway S20 Series  
Aeroquip FD42  
Snap-Tite 60/21



**ISO 7241-1 A Series**  
Summit A Series

**Equivalent To:**  
Parker 6600 Series  
Faster NV Series  
Safeway S56 Series  
Aeroquip 5600 Series  
Snap-Tite 61 Series



**ISO 7241-1 B Series**  
Summit B Series

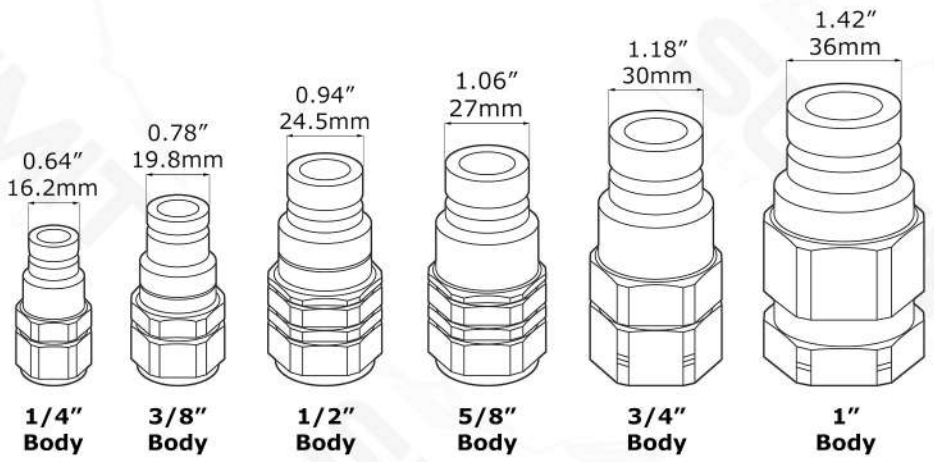
**Equivalent To:**  
Parker 60 Series  
Faster HNV Series  
Safeway S10 Series  
Aeroquip 5FD45 Series  
Snap-Tite 72 Series



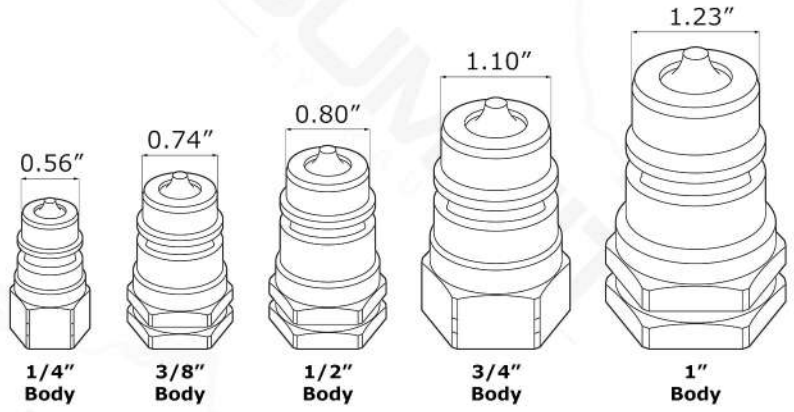
# Quick Coupler Dimension Chart

The fractional (1/2", 3/4", etc.) coupler sizes are industry standards and are not an actual measurement of the coupler.

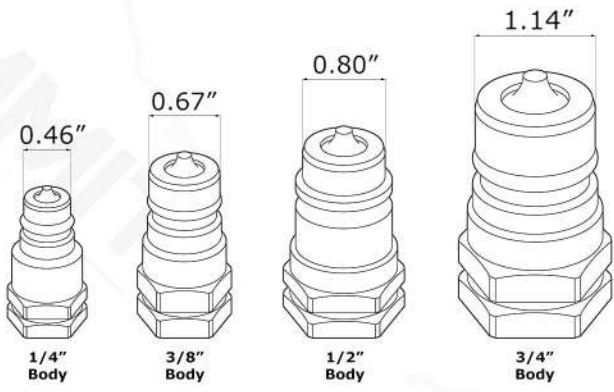
## ISO 16028 Summit FF Series Flat Face



## ISO 5675 Summit AG Series Agricultural



## ISO 7241-1 A Series Summit A Series



## ISO 7241-1 B Series Summit B Series

