

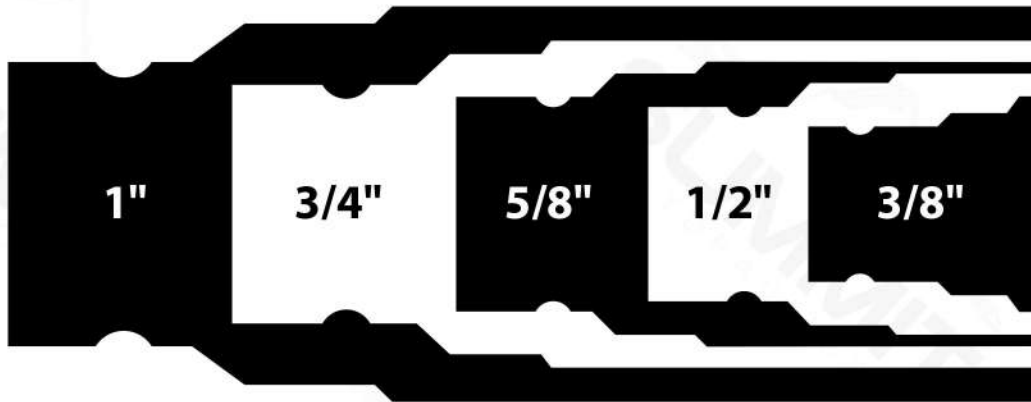


Quick Coupler Identification Chart

The fractional ($\frac{1}{2}$ ", $\frac{3}{4}$ ", etc.) coupler sizes are industry standards and are not an actual measurement of the coupler. **Print this guide** and match the male coupler to one of the coupler outlines shown below.

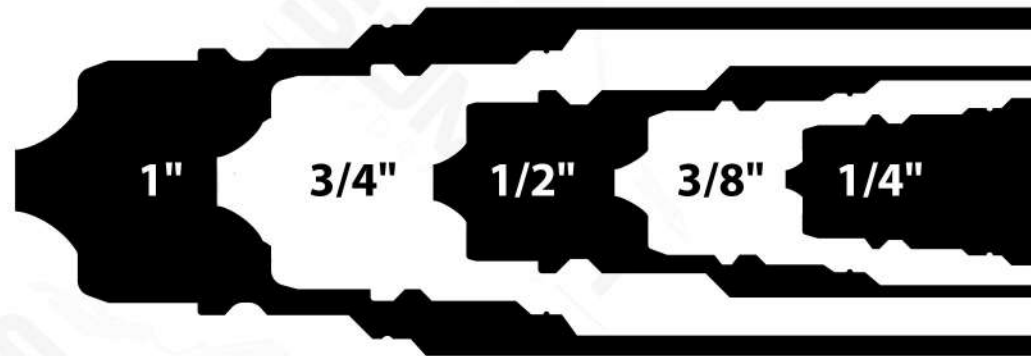
ISO 16028 Summit FF Series - Flat Face

- Interchanges with:
- Faster FFI Series
 - Holmbury A Series
 - Parker FEM Series
 - Snap-Tite 74 Series



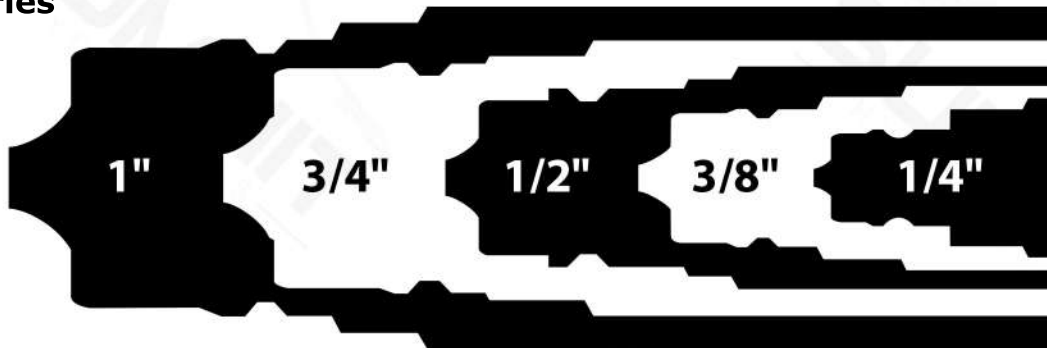
ISO 5675 Summit AG Series - Agricultural

- Interchanges with:
- Faster NS Series
 - Parker/Pioneer 4000 Series
 - Safeway S20 Series
 - Tomco PC Series



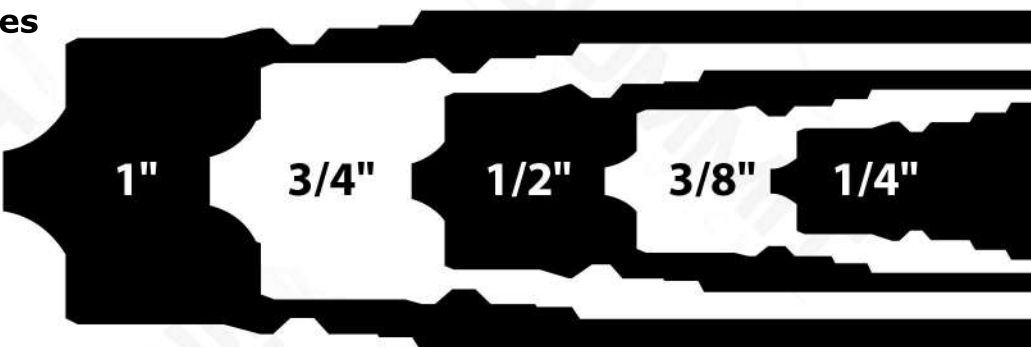
ISO 7241-1 A Series Summit A Series

- Interchanges with:
- Aeroquip FD56 (5600) Series
 - Faster ANV Series
 - Hansen HA15000 Series
 - Parker 6600 Series
 - Safeway S56 Series



ISO 7241-1 B Series Summit B Series

- Interchanges with:
- Aeroquip FD45 Series
 - Faster HNV Series
 - Hansen HK Series
 - Parker 60 Series
 - Snap-Tite 72 Series

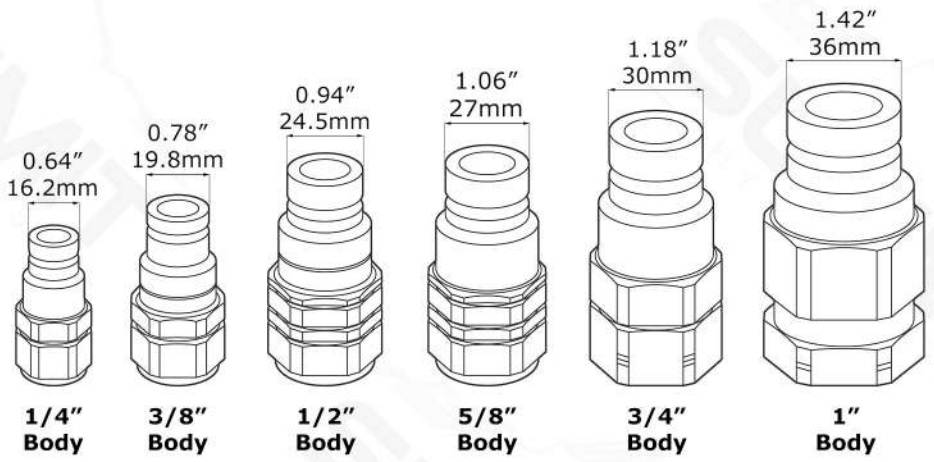




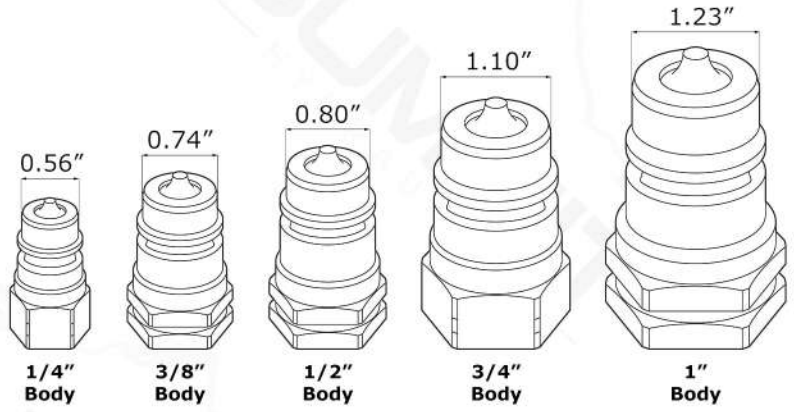
Quick Coupler Dimension Chart

The fractional (1/2", 3/4", etc.) coupler sizes are industry standards and are not an actual measurement of the coupler.

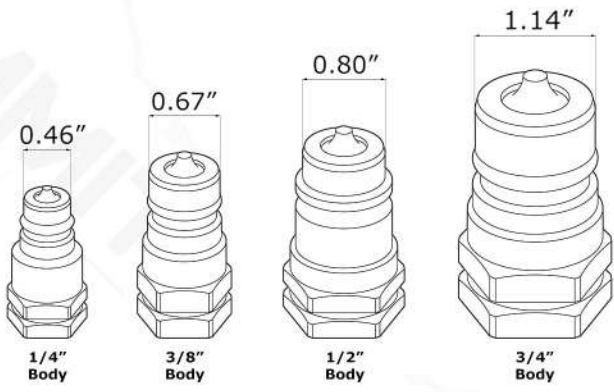
ISO 16028 Summit FF Series Flat Face



ISO 5675 Summit AG Series Agricultural



ISO 7241-1 A Series Summit A Series



ISO 7241-1 B Series Summit B Series

